

### Installation instruction other louvers

#### General instruction

Read this instruction carefully and after installation save the instruction for references and maintenance.

### ATTENTION: WHEN INSTALLING IT IS NECESSARY TO WEAR GLOVES to prevent fingerprints

#### Safety

- Before installation, maintenance or changing the lamp, the electricity to the source of light has to be switched off.
- For installation of the luminaire a qualified electric engineer is recommended. The luminaire must be installed in compliance with the most recent stipulations and installation instructions.
- Check the total capacity of the actual current circuit, this may not exceed the maximum allowed capacity of the section.
- To prevent heating up, the luminaires should not be covered, e.g. isolation covers or blankets.
- All replacement parts must be equal to the original parts.

#### Placing the louvers

##### Step 1

Pierce the louvers into the luminaire with the broad angel section turned 45 degrees.

##### Step 2

Turn the louver, so it hangs straight in the luminaire.

##### Step 3

Connect the ground wire to the ground contact strip in the luminaire.

##### Step 4

Push up the louver a little bit. Then fit the louver up as high as possible into the luminaire.

##### Step 5

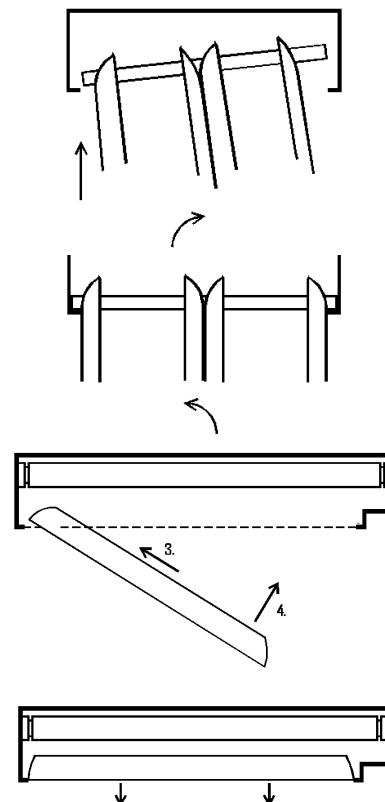
Turn up the louver so it will fit completely in the luminaire.

##### Step 6

Take care that the short angel section is situated on the angle edge of the luminaire.

##### Step 7

Pull down the louvers now as far as possible.



To guarantee the dependability and correct working, the installation instruction must be followed up correctly. Changes are not allowed. When changes are made on the luminaires, the warranty will expire. Emilux B.V. does not take any responsibility when luminaires are modified in any way!

